

Easy Install, Excellent function

37x built-in housing camera



1/4" 37x High Resolution Weatherproof Camera

SCO-2370

The SCO-2370 provides various functions based on WV DSP engine. It offers powerful 37x optical zoom and 16x digital zoom. SSNR III, Samsung's original noise reduction technology makes it possible to provide clear and crisp image, and coaxial & RS-485 communication support easy control. It also certified IP68 standard and provides flexible application outside.

- Powerful 37x optical zoom (3.5~129.5mm)
- High resolution of 600 TV Lines
- Day & Night (ICR)
- SSNR III for digital noise reduction
- RS-485 & Coaxial Control

1/4" 37x High Resolution Weatherproof Camera

SCO-2370

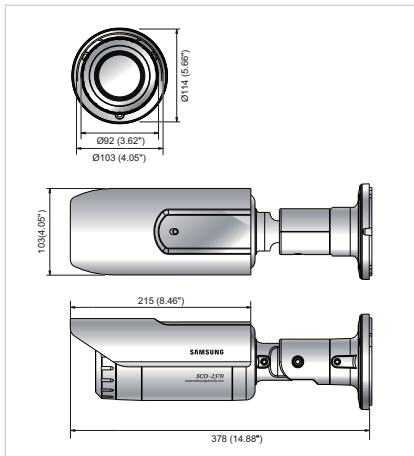


Specifications

	SCO-2370N	SCO-2370P
ELECTRICAL		
Input Voltage	Dual (12V DC / 24V AC)	
Power Consumption	Max. 3.8W, 4.8W (12V DC / 24V AC, Fan & Heater Off), Max. 28W (Heater & Fan On, 24VAC)	
VIDEO		
Imaging Device	1/4" Super HAD CCD	
Total Pixels	811(H) x 508(V)	795(H) x 596(V)
Effective Pixels	768(H) x 494(V)	752(H) x 582(V)
Scanning System	2 : 1 Interlace	
Synchronization	Internal / Line lock	
Frequency	H : 15.734KHz / V : 59.94Hz	H : 15.625KHz / V : 50Hz
Horizontal Resolution	Color : 600TV lines / B/W : 700TV lines	
Min. illumination	Color : 0.2Lux (50 IRE@F1.67), 0.0004Lux (Sens-up, 512x) B/W : 0.02Lux (50 IRE@F1.67)	
S / N (Y signal)	52dB	
Video Output	CVBS : 1.0Vp-p, 75Ω composite	
LENS		
Zoom Ratio	37x (Optical), 16x (Digital)	
Focal Length	3.5 ~ 129.5mm (F1.6~F3.9)	
Max. Aperture Ratio	1 : 1.6(Wide) ~ 3.9(Tele)	
Min. Object Distance	1.5m (4.92ft)	
Angular Field of View	H : 55.5°(Wide) ~ 1.59°(Tele) / V : 42.5°(Wide) ~ 1.19°(Tele)	
Focus	Auto / Manual / One push	
Zoom Management Speed	2.8 sec (wide to tele)	
OPERATIONAL		
On Screen Display	English, Japanese, Spanish, French, Portuguese, Taiwanese, Korean	English, French, German, Spanish, Italian, Chinese, Russian, Polish, Czech, Romanian, Serbian, Swedish, Danish, Turkish, Portuguese
Camera Title	On / Off (Displayed 15 characters)	
Day & Night	Auto (ICR) / Color / B/W	
SSDR	On / Off (Level adjustable)	
Backlight Compensation	BLC / HLC / Off	
Motion Detection	On / Off (8 programmable zones)	
Digital Zoom	On / Off (1x ~ 16x)	
Digital Image Stabilization	On / Off	
Privacy Masking	On / Off (12 programmable zones)	
2D+3D Noise Filter (SSNR III)	On / Off	
Sens-up (Frame Integration)	Auto / Off (Selectable limit ~ 512x)	
Gain Control	Low / High / Off	
White Balance	AWC, Manual, Indoor, Outdoor, ATW (1,700°K ~ 11,000°K)	
Electronic Shutter Speed	1/60 ~ 1/120,000	1/50 ~ 1/120,000
Sharpness	On / Off (Level adjustable)	
Flip / Mirror	On / Off	
Communication	RS-485, Coaxial control	
Protocol	Samsung-T, Samsung-E, Pelco-D, Pelco-P, AD, Bosch, Honeywell, Vicon, Panasonic	
ENVIRONMENTAL		
Operating Temperature / Humidity	Fan & Heater On : -50°C ~ +50°C / Less than 90% RH (24VAC), Fan & Heater Off : -30°C ~ +50°C / Less than 90% RH (12VDC)	
MECHANICAL		
Dimension (WxHxD)	Ø114 x 378mm	
Weight	1.95Kg (4.31 lb)	
Ingress Protection	IP68	
Certifications	FCC (Class A)	CE (Class A)

Dimensions

Unit : mm (inch)



The Eco mark represents Samsung Techwin's will to create environment-friendly products, and indicates that the product satisfies the EU RoHS Directive.

Design and specifications are subject to change without notice.



SAMSUNG TECHWIN CO., LTD.

701, Sampyeong-dong, Bundang-gu, Seongnam-si, Gyeonggi-do Korea 463-400
Tel : +82-70-7147-8741 ~ 8749, 8752~8760 Fax : +82-31-8018-3745
www.samsungsecurity.com www.samsungcctv.com

SAMSUNG TECHWIN AMERICA INC.
1480 Charles Willard St, Carson, CA 90746, UNITED STATES
Tel Free : +1-877-213-1222 Fax : +1-310-632-2195
www.samsungcctvusa.com

SAMSUNG TECHWIN EUROPE LTD.
Samsung House, 1000 Hillwood Drive, Hillwood Business Park
Chertsey, Surrey, UNITED KINGDOM KT11 6 OPS
Tel : +44-1932-45-5300 Fax : +44-1932-45-5325

TIANJIN SAMSUNG TECHWIN OPTO-ELECTRONICS CO., LTD.
No.11 Wei 6 Street, Micro-Electronic Industrial Park
Jingang Road, Tianjin, P.R. CHINA 300385
Tel : +86-22-23887788 Fax : +86-22-23887788

■ DISTRIBUTED BY



www.eurotelcom.it
info@eurotelcom.it

Eurotelcom
Via G. Garibaldi 17/19
73100. Lecce
Tel. 0832.248579 r.a.
Tel./Fax 0832.302922
Cell. 347.5479717